



VIVAX® Castors

Update 2.0

Made in Germany



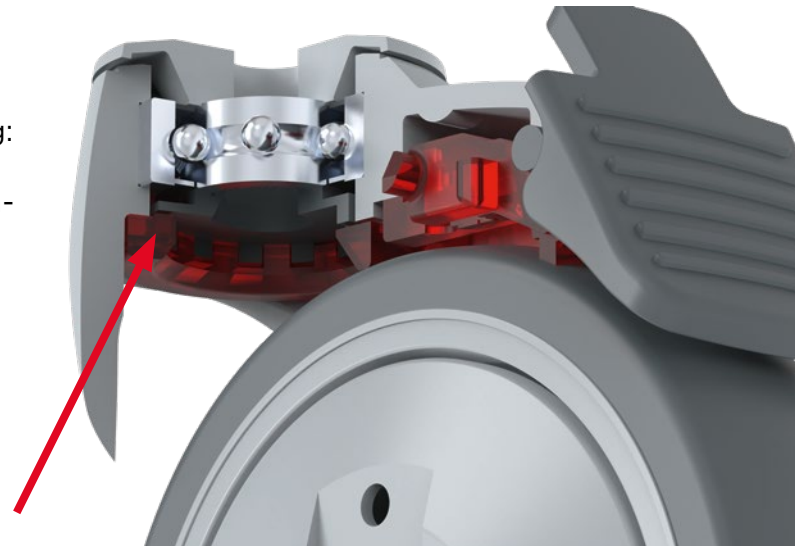
VIVAX® 2.0 – Update



A new brake lever with an improved design allows lower actuating forces and has been simultaneously reducing the interference circuit.

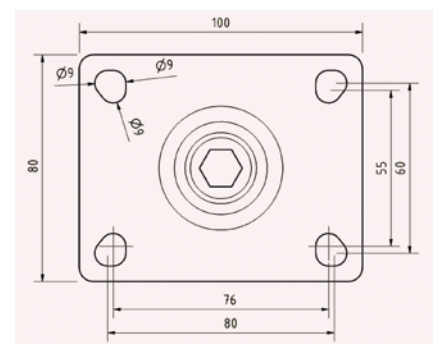
Improved function of the brake spring: A new, patented connection of the spring and castor fork through a form-fitting locking mechanism improves the stability of the braked castor.

The enlarged cover makes new color combinations possible and offers more room for custom design.



The new design for 40mm hub width allows the use of wheels with 36mm tread width from the Perfoma series. The load capacity of 150kg in combination with a soft 65° Shore (A) tyre allows the VIVAX® castors to be used for many new applications. A new dimension for plastic castors.

New areas of application of the VIVAX® series are opened up by the new plate dimension of 100x80 with the screw hole dimensions of the industrial castor series.



The direct connection of wheel hub and ball bearing through a conductive part allows the use of the standard fork for conductive castors. White and light colors can be used without effecting the appearance by conductive batches. The use of a fork for both wheel sizes 100 and 125mm simplifies warehousing, which means that our products are even more available to our customers.

VIVAX® castors – the better choice “Made in Germany”

THE ALTERNATIVE TO METAL CASTORS

Whether cleaning machines, shopping trolleys or standardized castors for the medical and gastronomic sector, the selection of the right castor is a difficult matter. Material, bearings, surface and wheel diameter influence the individual properties. Floor conditions, cleaning requirements, durability and resilience – each application is always meaning other requirements to the castors.

STRENGTH, SWIVEL & RUNNING BEHAVIOR OR THE DESIGN: PLASTIC CASTORS WILL MASTER THESE REQUIREMENTS!

HIGH STRENGTH

Glass fiber reinforced high performance plastic material provides the VIVAX® castor series for high strength and almost unlimited stability. Even at high temperatures, it makes the castors durable against all currently known detergents and disinfectants, alkalis diluted acids, oils, lubricants, alcohols and gasoline. This “built-in” corrosion protection requires no additional processing during production. Therefore the VIVAX® castor is in contrast to ordinary metal castors significantly more environmentally friendly.

PERFECT SWIVEL PROPERTIES

Continuously optimal swivel properties are indispensable, especially for trolleys that are used permanently. With the VIVAX® castor, a grooved precision ball bearing in the fork head guarantees many years of use with unrestricted functionality. The good damping properties and the low weight also contribute to the comfortable running behavior.

ATTRACTIVE DESIGN

Not just a matter of taste: Especially in areas with public traffic such as gastronomy or healthcare, the attractive design of the castors is very important. It’s not just about a good looking shape or color, but also about a “well-groomed” appearance. Castors with scratches look unkempt and unhygienic. Solid-colored plastic castors are of course not immune to scratches, but these are far less visible than on metal castors.

EASY CUSTOMIZATION

The available color palette is extremely extensive. If a special color is not available, a corresponding coating of the castors can be easily and permanently realised. Furthermore individual imprints such as your logo are possible to complete your distinctive corporate identity.

STANDARD-COMPLIANT DESIGN

With all design requirements, compliance with certain standards for castors and brakes is an indispensable criterion of our work.

QUALITY MADE IN GERMANY

The VIVAX® castors are manufactured in our own factory according to your individual demand. For you, this means excellent quality and fast, uncomplicated delivery.

Wheel Series for VIVAX® 2.0 Castors

The right wheel for every application. All wheels are also available as conductive version and with stainless steel bearings, of course also in combination.

If you need plain- or roller bearings for special applications, please call us.



Article Code 0C
Polypropylene tread & wheel center, Ball bearing, Thread guards

∅	Item-No.	Load Capacity	Wheel Width
100 mm	40C	150 kg	32 mm
125 mm	50C	150 kg	32 mm



Article Code 1C
TPE tread non-oiling (Shore A 87), Polypropylene wheel body, Ball bearing, Thread guards

∅	Item-No.	Load Capacity	Wheel Width
100 mm	41C	100 kg	32 mm
125 mm	51C	100 kg	32 mm
125 mm	51C-36	125 kg	36 mm



Article Code 1CA
Conductive < 10⁴Ω
TPE tread non-oiling (Shore A 87), Polypropylene wheel body, Ball bearing, Thread guards

∅	Item-No.	Load Capacity	Wheel Width
100 mm	41CA	100 kg	32 mm
125 mm	51CA	100 kg	32 mm
125 mm	51CA-36	125 kg	36 mm



Article Code 4C
TPU tread non-oiling (Shore A 95), Polyamide wheel body, Ball bearing, Thread guards

∅	Item-No.	Load Capacity	Wheel Width
100 mm	44C	150 kg	32 mm
125 mm	54C	150 kg	32 mm



Article Code 4CA
Conductive < 10⁴Ω
TPU tread non-oiling (Shore A 95), Polyamide wheel body, Ball bearing, Thread guards

∅	Item-No.	Load Capacity	Wheel Width
100 mm	44CA	150 kg	32 mm
125 mm	54CA	150 kg	32 mm

PLEASE NOTE:

If you want to order single wheels, please do not use above numbers. Please contact us for clarification!

Performa

A very special material, developed for particularly high demands on wheels for your castors. In a unique way, rolling comfort and load capacity are combined with good values for rolling, starting and swivel resistance. Low abrasion values are another feature of the material.

We have also made this material available for the field of apparatus castors and developed a new wheel family. With these wheels, the full potential of the VIVAX® housing series is exploited and now offers a load capacity of 150 kg even with soft wheels. It is a peak value in reference to apparatus castors. Furthermore outstanding design is combined with high load capacities. Performa wheels are available in different versions, all with deep groove ball bearings and thread guards.



Article Code 6C
Performa Tread (Shore A 50), Polypropylene wheel body, Ball Bearing, Thread guards

∅	Item-No.	Load Capacity	Wheel Width
100 mm	46C	80 kg	32 mm
125 mm	56C	100 kg	32 mm
125 mm	56C-36	110 kg	36 mm



Article Code 7C
Performa Tread (Shore A 65), Polypropylene wheel body, Ball Bearing, Thread guards

∅	Item-No.	Load Capacity	Wheel Width
100 mm	47C	150 kg	32 mm
125 mm	57C	150 kg	32 mm
125 mm	57C-36	150 kg	36 mm



Article Code 7CA
Conductive < 10⁴Ω
Performa Tread (Shore A 65), Polypropylene wheel body, Ball Bearing, Thread guards

∅	Item-No.	Load Capacity	Wheel Width
100 mm	47CA	150 kg	32 mm
125 mm	57CA	150 kg	32 mm
125 mm	57CA-36	150 kg	36 mm



Article Code 8C
Blue Performa Tread (Shore A 65), Polypropylene wheel body, Ball Bearing, Thread guards

∅	Item-No.	Load Capacity	Wheel Width
100 mm	48C	150 kg	32 mm
125 mm	58C	150 kg	32 mm
125 mm	58C-36	150 kg	36 mm

VIVAX® wheels cross section



Section Picture Wheel: Wheel with Plain Bearing and Stainless Steel Axle Tube as Special Version available!

Wheels with stainless steel bearings available. Article Code: “..CN”

Castor series

VIVAX®

Combine Swivel Housings with or without Total Lock, Wheels and Fittings individually and tailor-made for your requirements.

40C	41C	44C	46C	47C	48C
50C	51C	54C	56C	57C	58C
	51C-36		56C-36	57C-36	58C-36



Swivel Castor

Ball Bearing 6203 as swivel bearing, FEM optimized shape, made of glass fibre reinforced high performance plastic



KSL2

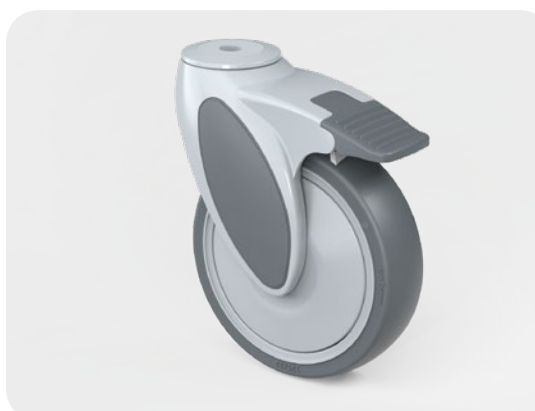
Swivel Castor with Total Lock

Ball Bearing 6203 as swivel bearing, FEM optimized shape, made of glass fibre reinforced high performance plastic



KSF2

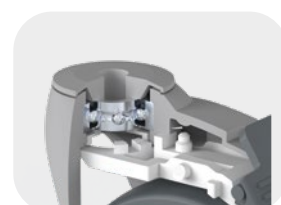
KSF2-51C-36-L12



CASTOR FITTINGS:

L10		Bolt Hole 10 mm
L12		Bolt Hole 12 mm
P77		Plate 77x67 mm Thickness 3 mm, Galvanized, Screw and Hole Dimensions 61,5/56x51,5/46,4 for M8
P95		Plate 95x70 mm Thickness 3 mm, Galvanized, Screw and Hole Dimensions 72x52/45 for M8 and 75x50 for M10
P100		Plate 100x80 mm Thickness 3 mm, Galvanized, Screw and Hole Dimensions 80/75x60/55 for M8
Z24x45		Stem Ø 24x45 M8/19 Galvanized, Cross hole M8/19
R-Ø		Expanding Stem for round tubes with inner diameter from 18 to 35 mm, for square tubes with inner diameter from 18x18 mm to 40x40 mm

VIVAX® Cross section



Section Picture: Swivel Head with Ball Bearing 6203 2RS DIN 625

VIVAX® Technical data

100	109	46	135	142,5
125	109	46	161	168,5

www.colson-rollen.com

Castor series
Stainless Steel

VIVAX®

Combine Swivel Housings with or without Total Lock, Wheels and Fittings individually and tailor-made for your requirements.

Swivel Castor

Ball Bearing 6203 as swivel bearing, FEM optimized shape, made of glass fibre reinforced high performance plastic

Swivel Castor with Total Lock

Ball Bearing 6203 as swivel bearing, FEM optimized shape, made of glass fibre reinforced high performance plastic

40CN	41CN	44CN	46CN	47CN	48CN
50CN	51CN	54CN	56CN	57CN	58CN
	51CN-36		56CN-36	57CN-36	58CN-36

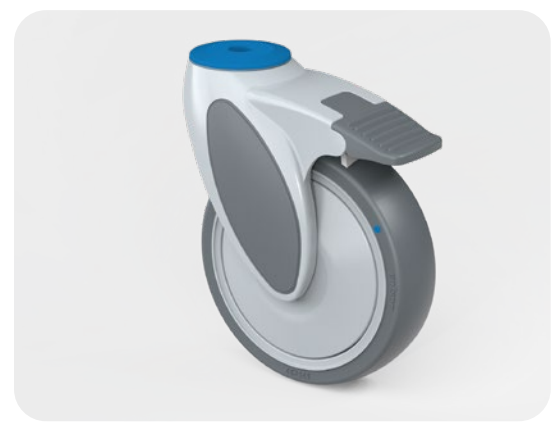


NKSL2



NKSF2

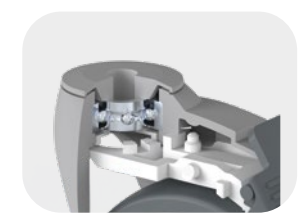
NKSF2-51CN-36-L12



CASTOR FITTINGS:






- L10**  **Bolt Hole 10 mm**
- L12**  **Bolt Hole 12 mm**
- P77**  **Plate 77x67 mm**
Thickness 3 mm, Galvanized, Screw and Hole Dimensions 61,5/56x51,5/46,4 for M8
- P95**  **Plate 95x70 mm**
Thickness 3 mm, Galvanized, Screw and Hole Dimensions 72x52/45 for M8 and 75x50 for M10
- P100**  **Plate 100x80 mm**
Thickness 3 mm, Galvanized, Screw and Hole Dimensions 80/75x60/55 for M8
- Z24x45**  **Stem Ø 24x45M8/19**
Galvanized, Cross hole M8/19
- R-Ø**  **Expanding Stem**
for round tubes with inner diameter from 18 to 35 mm, for square tubes with inner diameter from 18x18 mm to 40x40 mm

VIVAX® Cross section



Section Picture: Swivel Head with Ball Bearing 6203 2RS DIN 625

VIVAX® Technical data

				
100	109	46	135	142,5
125	109	46	161	168,5

Castor series Conductive

VIVAX®

Combine Swivel Housings with or without Total Lock, Wheels and Fittings individually and tailor-made for your requirements.

Swivel Castor

Ball Bearing 6203 as swivel bearing, FEM optimized shape, made of glass fibre reinforced high performance plastic



KSAL2

Swivel Castor with Total Lock

Ball Bearing 6203 as swivel bearing, FEM optimized shape, made of glass fibre reinforced high performance plastic



KSAF2

41CA	44CA	47CA
51CA	54CA	57CA
51CA-36		57CA-36



CASTOR FITTINGS:

L10



Bolt Hole 10 mm

L12



Bolt Hole 12 mm

P77



Plate 77x67 mm
Thickness 3 mm, Galvanized, Screw and Hole Dimensions 61,5/56x51,5/46,4 for M8

P95



Plate 95x70 mm
Thickness 3 mm, Galvanized, Screw and Hole Dimensions 72x52/45 for M8 and 75x50 for M10

P100



Plate 100x80 mm
Thickness 3 mm, Galvanized, Screw and Hole Dimensions 80/75x60/55 for M8

Z24x45



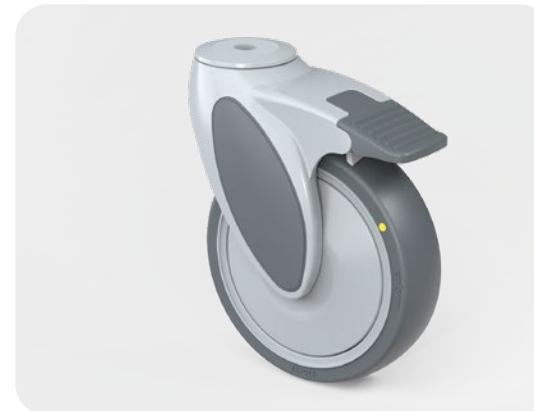
Stem Ø 24x45M8/19
Galvanized, Cross hole M8/19

R-Ø



Expanding Stem
for round tubes with inner diameter from 18 to 35 mm, for square tubes with inner diameter from 18x18 mm to 40x40 mm

KSAF2-51CA-36-L12



VIVAX® Cross section



Section Picture: Swivel Head with Ball Bearing 6203 2RS DIN 625

VIVAX® Technical data



100	109	46	135	142,5
125	109	46	161	168,5



Rolling

at the speed of life



Colson Rollen GmbH
Industriestraße 8
D-42499 Hückeswagen

Tel.: +49 2192 9368-0
Fax: +49 2192 9368-477

Web: www.colson-rollen.com
E-Mail: info@colson-rollen.com